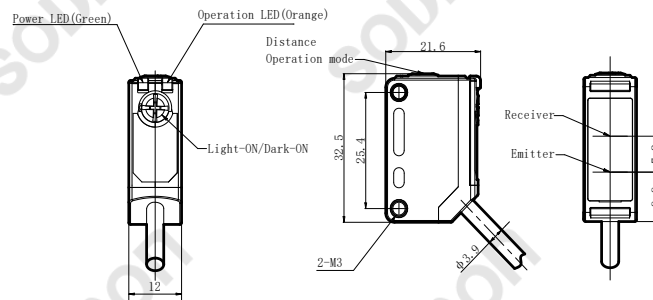




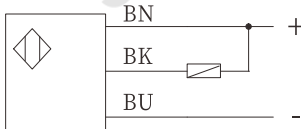
CE

## Dimensions

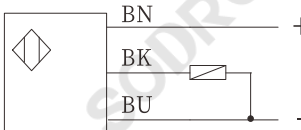


Model	Technical parameters	
	Detection method	Adjustable Distance Reflective Type
PF31V-B30BNSR-E	NPN	PF31V-B30BNSR-E
PF31V-B30BPSR-E	PNP	PF31V-B30BPSR-E
	Sensing distance	15 ~ 300mm
	Standard target	White paper 100*100mm
	Reflectivity characteristic	15% of set distance max
	Output mode	Light ON/Dark ON adjustable
	Light source	Red LED 620nm
	Supply power	DC 12 ~ 24V $\pm$ 10% impulse(P-P) <10%(DC10-30V)
	Residual voltage	2V max(Load current $\leq$ 100mA)
	Current consumption	<25mA
	Load current	$\leq$ 100mA
	Circuit protection	Reverse connection protection, Short circuit protection
	Response time	<1ms
	Distance setting	5-turned endless adjuster
	Indicator light	Output: Orange LED Stable: Green LED
	Connection	Cable 2m
	Ambient temperature	Work: -25 ~ +55°C; Store: -30 ~ +70°C, (No dew condensation or icing allowed)
	Ambient humidity	Work: 35 ~ 85%RH, Store: 35 ~ 95%RH, (No dew condensation)
	Ambient illumination	Sunlight: 10,000Lx; Lamplight: 3,000Lx
	Withstand voltage	AC 1000V, 50/60Hz, 1min, between current-carrying parts and case
	Insulation resistance	> 20M $\Omega$ 以上 (DC500V megger) between current-carrying parts and case
	Anti-vibration	10~55Hz double-amplitude 1.5mm X, Y, Z 2h
	Impact resistance	500m/s <sup>2</sup> X, Y, Z, directions for 3 times
	Protection degree	IEC IP65
	Material	Housing: PBT Lens: PMMA

## NPN



## PNP



## Product Spot Dimension Drawing

